

Rotary actuators are an efficient and easy way to generate torque from compressed air, in a very compact size. They are ideal for the compact applications in a wide range of industries such as, packaging, process, electronics etc.



- Compact design
- Durable construction
- Long maintenance-free life
- High output torque/weight ratio
- Wide choice of torques available (up to 247 Nm)
- Range of mounting option, hydro-cushioning and position sensors

### Operating information

Working pressure: Max 10 bar  
Permissible fluid: Filtered (<math>5\mu</math>) with or without lubrication

Standard working temperature:  
PRN/PRO 3 to 20 -5°C to +80°C  
Other models -5°C to +60°C

Prelubricated, further lubrication is not normally necessary. If additional lubrication is introduced it must be continued.

For more information see [www.parker.com/euro\\_pneumatic](http://www.parker.com/euro_pneumatic)

### PRN miniature (fixed oscillating angle)

Single vane	Torque at 6 bar (N.m)	Oscillating reference point		Oscillating angle		
		45°	90°	90°	180°	270°
PRNA1S	0,16		X	<b>PRNA1S-90-90</b>	<b>PRNA1S-180-90</b>	
PRNA3S	0,38		X	<b>PRNA3S-90-90</b>	<b>PRNA3S-180-90</b>	
PRNA10S	1,20		X	<b>PRNA10S-90-90</b>	<b>PRNA10S-180-90</b>	
PRNA20S	2,10		X	<b>PRNA20S-90-90</b>	<b>PRNA20S-180-90</b>	
PRN30SE	4,10	X		<b>PRN30SE-90-45</b>	<b>PRN30SE-180-45</b>	<b>PRN30SE-270-45</b>
<b>Double vane</b>						
PRNA3D	0,65			<b>PRNA3D-90-45</b>		
PRNA10D	2,54			<b>PRNA10D-90-45</b>		
PRNA20D	4,70			<b>PRNA20D-90-45</b>		
PRN30DE	9,50			<b>PRN30DE-90-45</b>		

### PRO (adjustable oscillating angle)

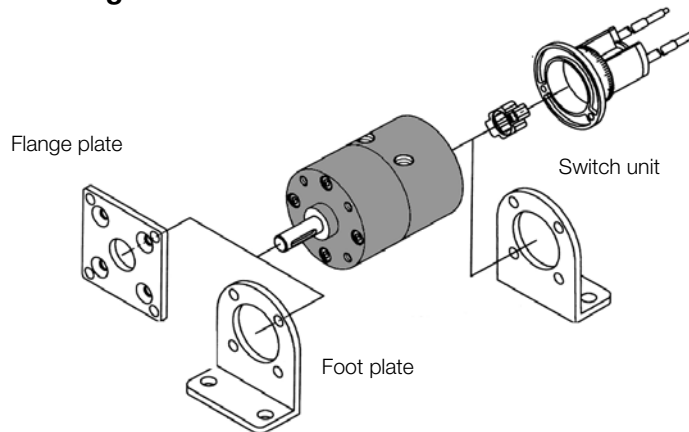
Single vane	Torque at 6bar (N.m)	Oscillating angle	Order code	Double vane	Torque at 6bar (N.m)	Oscillating angle	Order code
	0,38	30 to 180°		<b>PROA3S-0-90</b>	0,65	30 to 90°	<b>PROA3D-0-45</b>
	1,20	30 to 180°		<b>PROA10S-0-90</b>	2,54	30 to 90°	<b>PROA10D-0-45</b>
	2,10	30 to 180°		<b>PROA20S-0-90</b>	4,70	30 to 90°	<b>PROA20D-0-45</b>
	4,10	30 to 270°		<b>PRO30SE-0-45</b>	9,50	30 to 90°	<b>PRO30DE-0-45</b>

### PRN high torque range (fixed oscillating angle)

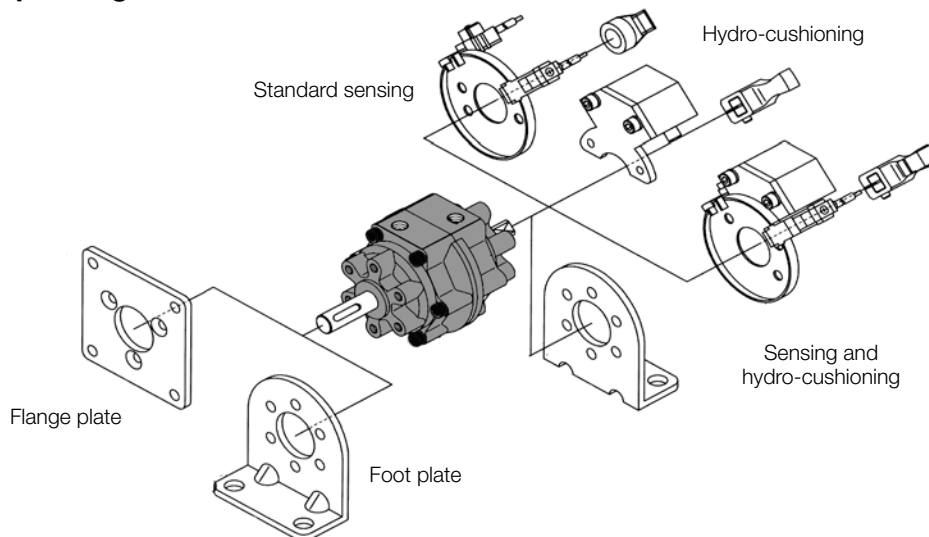
Single vane	Torque at 6 bar (N.m)	Oscillating angle	Oscillating angle		
			90°	180°	270°
PRN50SE	5,9		<b>PRN50SE-90-45</b>	<b>PRN50SE-180-45</b>	<b>PRN50SE-270-45</b>
PRN150SE	18,0		<b>PRN150SE-90-45</b>	<b>PRN150SE-180-45</b>	<b>PRN150SE-270-45</b>
PRN300SE	34,5		<b>PRN300SE-90-45</b>	<b>PRN300SE-180-45</b>	<b>PRN300SE-270-45</b>
PRN800SE	123,0		<b>PRN800SE-90-45</b>	<b>PRN800SE-180-45</b>	<b>PRN800SE-270-45</b>
<b>Double vane (oscillating angle 45°)</b>					
PRN50DE	12,8		<b>PRN50DE-90-45</b>		
PRN150DE	41,5		<b>PRN150DE-90-45</b>		
PRN300DE	83,0		<b>PRN300DE-90-45</b>		
PRN800DE	247,0		<b>PRN800DE-90-45</b>		

**Design Variants**

**PRO and miniature PRN ranges**



**PRN high torque range**



**Hydro-cushion for PRN050 to PRN800 rotary actuators**

Rotary actuator	Hydro-cushion	Claw for hydro-cushion - Oscillating angle		
		90°	180°	270°
PRN50S	<b>CRN50</b>	<b>CRN50-90-45-T</b>	<b>CRN50-180-45-T</b>	<b>CRN50-270-45-T</b>
PRN150S	<b>CRN150</b>	<b>CRN150-90-45-T</b>	<b>CRN150-180-45-T</b>	<b>CRN150-270-45-T</b>
PRN300S	<b>CRN300</b>	<b>CRN300-90-45-T</b>	<b>CRN300-180-45-T</b>	<b>CRN300-270-45-T</b>
PRN50D	<b>CRN50</b>	<b>CRN50-90-45-T</b>		
PRN150D	<b>CRN150</b>	<b>CRN150-90-45-T</b>		
PRN300D	<b>CRN300</b>	<b>CRN300-90-45-T</b>		